

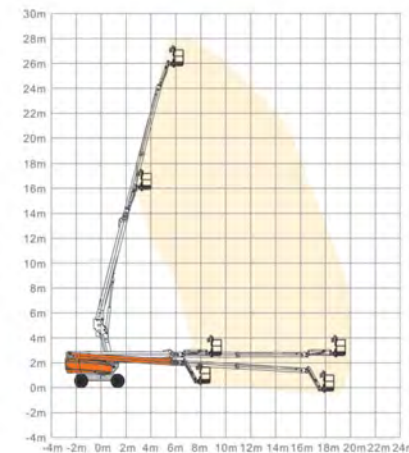
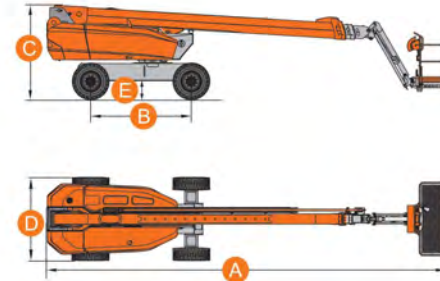
GTBZ-SI

Self-Propelled Telescopic Boom Lifts



Dingli GTBZ28SI

	S.W.L	230kg
	Max.Occupants	2
	Max.Working Height	27.90m
	Max.Platform Height	25.90m
	Max.Horizontal Reach	20.00m
	Turntable Tailswing	1.90m
	A Overall Length(Stowed)	11.94m
	D Overall Width	2.50m
	Overall Width(Transport)	2.28m
	C Overall Height	2.83m
	Overall Height(Transport)	2.55m
	Platform Size(Length/Width)	2.20m×0.80m
	E Ground Clearance	0.36m
	B Wheelbase	3.00m
	Turning Radius(Inside/Outside)	3.93m/5.81m
	Turret Rotation	360°continuous
	Platform Rotation	±90°
	Jib Movement	+70°/-60°
	Engine	
	Deutz D2011 L03	36.4kW/2800rpm
	Deutz TD 2.9 L4 - Option	55.4kW/2600rpm
	Fuel	Diesel
	Travel Speed(Stowed)	6.1km/h
	Travel Speed(Raised)	≤1.1km/h
	Gradeability	40%
	Max.Working Slope	4°
	Hydraulic Tank	230L
	Diesel Tank	110L
	Tyres	385/65-22.5
	Weight	15100kg



Standard Equipment

- Can Bus Technology
- Proportional Controls
- Safety Electric Pump
- Horn
- Hour Meter
- Overload Sensor With Alarm
- Tilt Sensor
- 360° Continuous Turntable Rotation
- Self-leveling Platform
- Onboard Diagnostic System
- Hydraulic Platform Rotation
- Anti-restart Engine Protection
- The Glow Plugs For Cold Starting
- Oscillating Axle
- 4WD
- European III Emission Engine
- Deadman
- Hydraulic Oil Cooler
- Rough Terrain Foam-filled Tyres

Options

- Hydraulic Generator
- Hydraulic Compressor
- Hydraulic Water Pump
- AC Power To Platform
- Hydraulic Welder
- Platform Work Lights
- European IV Emission Engine



Ground Control



Transport Lock Pin



Waterproof Platform Control



Foot Deadman



Safety Electric Pump



Oscillating Axle



Swing Out Engine Tray



Gradeability